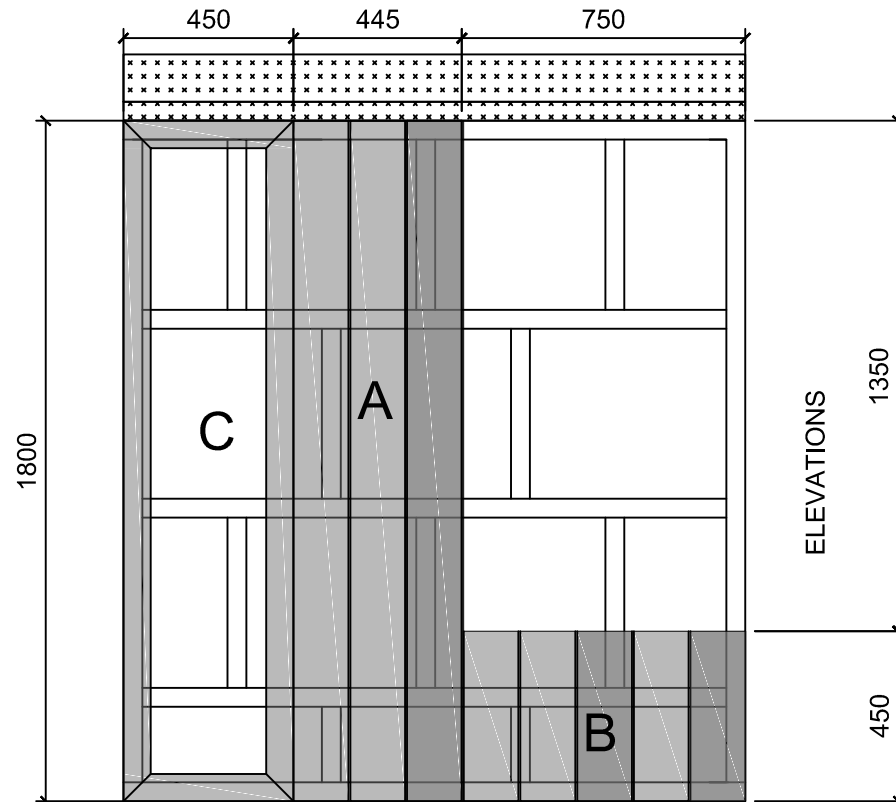
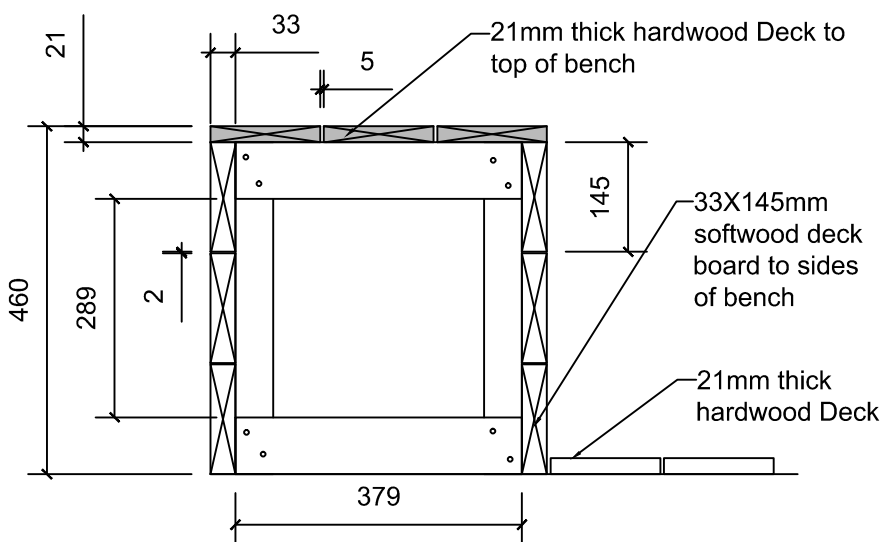


**DECKING LAYOUT MODULE 1 - 1:20**

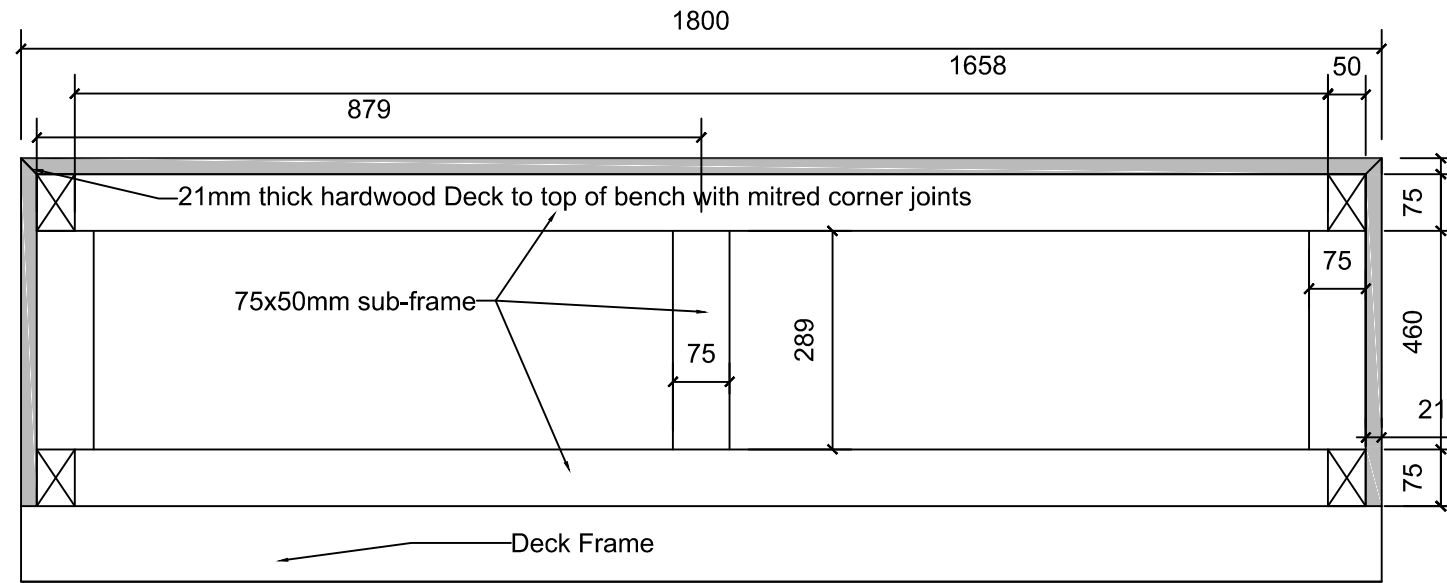


**PLANTER / BENCH LAYOUT MODULE 1 - 1:20**

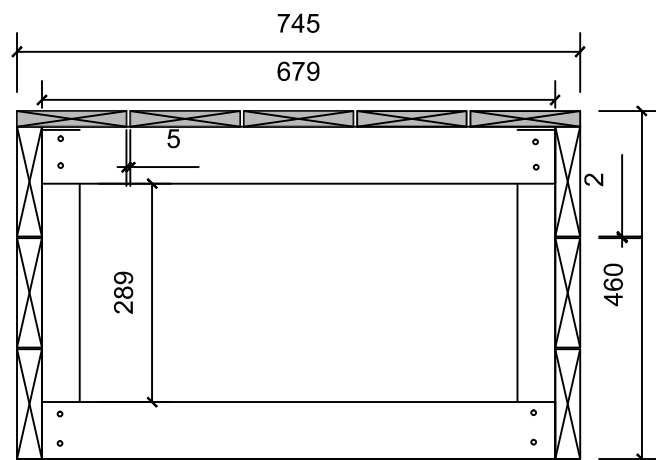
**NOTES:**  
 Contractor must verify all dimensions, levels and existing service alignments on site before commencing any work or shop drawings.  
 Any discrepancy concerning the drawings/quantities should be referred to the Landscape Architect immediately.  
 Only figured dimensions to be taken from this drawing. Do not scale off this drawing.  
 All landscape drawings to be read in conjunction with the landscape specification and all relevant engineer's and architect's drawings/specifications.  
 This drawing is Copyright and must not be reproduced without consent of LAAND.



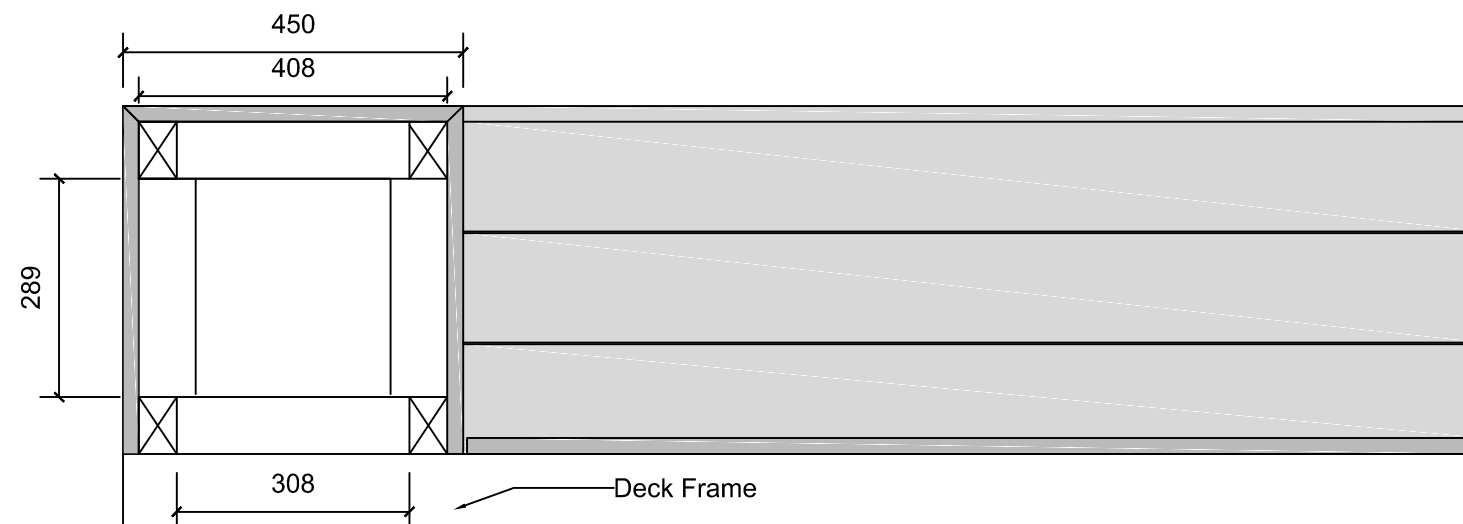
**SECTION BENCH A - 1:10**



**ELEVATION BENCH A - 1:10**



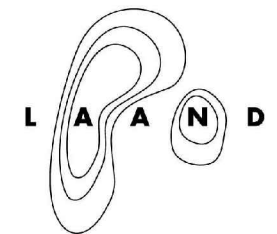
**SECTION BENCH B - 1:10**



**ELEVATION BENCH B - 1:10**

REV	DATE	DESCRIPTION	CS	AN

**DRAWING STATUS:**  
 CONSTRUCTION



0113 3227952 | laand.co.uk | hello@laand.co.uk  
 Duke Studios | 3 Sheaf St | Leeds | LS10 1HD

<b>CLIENT</b> Yorkshire Design Group		
<b>PROJECT</b> The Calls Parklet		
<b>TITLE</b> Bench Construction Detail 01		
<b>SCALE:</b> 1@20 @ A3	<b>DRAWN BY &amp; DATE:</b> CS 20/06/2017	<b>APPROVED BY &amp; DATE:</b> AN 20/06/2017
<b>DRAWING NUMBER:</b> 16-33-S3-302		<b>REVISION:</b> 00